

Reference flanges

for control knobs GN 723.4

SPECIFICATION

Types

- Type **A**: with friction ring
- Type **B**: without friction ring

Aluminium

anodized, black

Reference arrow

white, engraved with laser precision

Clamping ring

Rubber

Friction ring

Polyamide



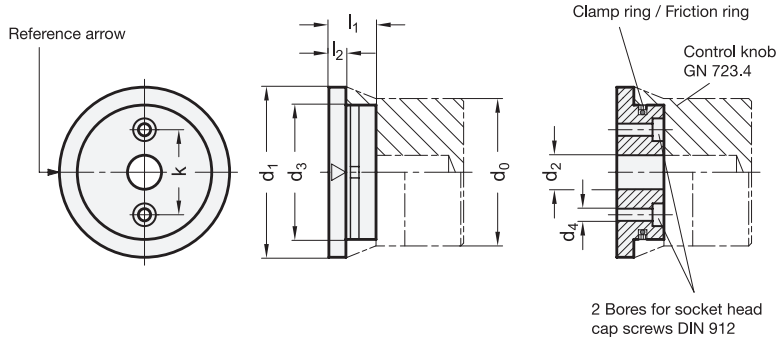
INFORMATION

Reference flanges GN 723.3 are used together with control knobs GN 723.4 which offer the following advantages:

- they have a reference mark to line up with the control knob scale,
- they offer additional support for the control shaft.
- the version with friction ring prevents an unexpected movement of the control knob by vibration.

TECHNICAL INFORMATION

- ISO-Fundamental Tolerances (see page A21)



GN 723.3

Description	d0	d1	d2 H8	d3 -0.1	d4	k	l1	l2	⚖
GN 723.3-33.5-B6-A	27	33.5	B 6	23.3	3.4	13	11.2	4	16
GN 723.3-41-B6-A	34	41	B 6	29.3	3.4	18	14.2	5	33
GN 723.3-41-B8-A	34	41	B 8	29.3	3.4	18	14.2	5	32
GN 723.3-50-B8-A	42	50	B 8	37.3	4.5	24	16.2	5	63
GN 723.3-50-B10-A	42	50	B 10	37.3	4.5	24	16.2	5	55
GN 723.3-33.5-B6-B	27	33.5	B 6	23.3	3.4	13	11.2	4	15
GN 723.3-41-B6-B	34	41	B 6	29.3	3.4	18	14.2	5	31
GN 723.3-41-B8-B	34	41	B 8	29.3	3.4	18	14.2	5	30
GN 723.3-50-B8-B	42	50	B 8	37.3	4.5	24	16.2	5	55
GN 723.3-50-B10-B	42	50	B 10	37.3	4.5	24	16.2	5	51

